

八、YEJ电磁制动系列三相异步电动机技术参数

8. YEJ series electromagnetic braking Three-phase asynchronous motor parameters

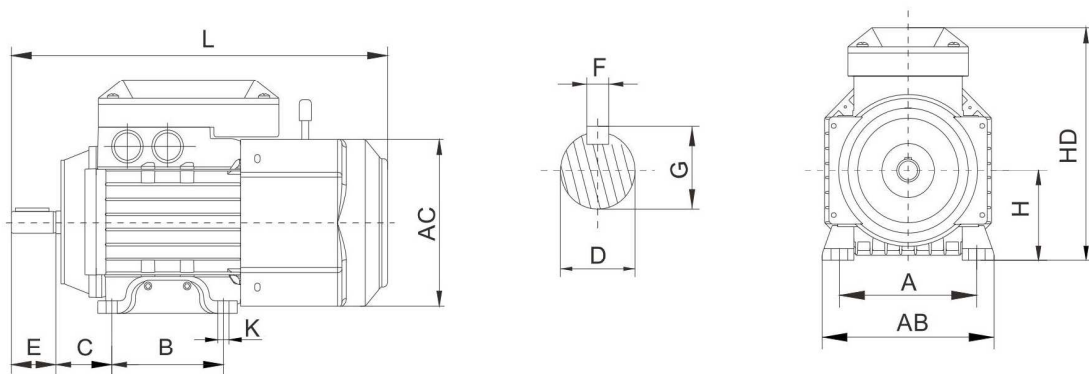
型 号	额定功率 (Kw)	额定电流 (A)	额定效率 (η %)	额定功率因数 ($\cos\phi$)	堵转电流 额定电流	堵转转矩 额定转矩	最大转矩 额定转矩	静制动力矩 (N.m)		空载时制 动时间 (S)	空载噪声 dB(A)
								直流 DZK	交流 AZM		
Type	Rated Power	Rated Current	Rated Efficiency	Rated Power Factor	Locked Rotor Current	Locked Torque Rated Torque	Max Torque Rated Torque	Static Brake Torque		Brake Torque during Idle	Idle Noise
								DC	AC		
YEJ -63M1-4	0.12	0.43	57	0.72	4.4	2.1	2.2	3.5	14	0.1	64
YEJ -63M2-4	0.18	0.61	60	0.73							
YEJ -71M1-2	0.37	0.98	70	0.81	6.1	2.2	2.2				64
YEJ -71M2-2	0.55	1.33	73	0.82			2.3				64
YEJ -71M1-4	0.25	0.76	65	0.74	5.2	2.1	2.2				58
YEJ -71M2-4	0.37	1.07	67	0.75							58
YEJ -71M3-4	0.55	1.66	71	0.71	5			4	14	0.1	58
YEJ -71M4-4	0.75	2.10	72	0.75							58
YEJ -71M1-6	0.18	0.71	56	0.66	4	1.9	2				56
YEJ -71M2-6	0.25	0.92	59	0.68							56
YEJ -80M1-2	0.75	1.78	75	0.83	6.1	2.2	2.3				71
YEJ -80M2-2	1.1	2.49	77	0.84	7						75
YEJ -80M1-4	0.55	1.54	71	0.75	5.2	2.4					67
YEJ -80M2-4	0.75	1.99	73	0.76	6	2.3					67
YEJ -80M1-6	0.37	1.27	62	0.70	4.7	1.9	2	7.5	18	0.1	62
YEJ -80M2-6	0.55	1.74	65	0.72			2.1				62
YEJ -80M1-8	0.18	0.86	51	0.61	3.3	1.8	1.9				60
YEJ -80M2-8	0.25	1.14	54	0.61							60
YEJ -90S-2	1.5	3.34	79	0.84	7	2.2					79
YEJ -90L-2	2.2	4.69	81	0.85							79
YEJ -90S-4	1.1	2.8	75	0.77	6	2.3	2.3				72
YEJ -90L-4	1.5	3.65	78	0.79							72
YEJ -90S-6	0.75	2.23	69	0.72	5.5	2	2.1	15	38	0.15	69
YEJ -90L-6	1.1	3.1	72	0.73							69
YEJ -90S-8	0.37	1.47	62	0.61	4	1.8	1.9				65
YEJ -90L-8	0.55	2.10	63	0.61			2.0				65
YEJ -100L-2	3	6.14	83	0.87	7.5	2.2					84
YEJ -100L1-4	2.2	5.05	80	0.81	7.0	2.3					2.3
YEJ -100L2-4	3.0	6.64	82	0.82			5.5	2.0	2.1	30	50
YEJ -100L-6	1.5	3.89	76	0.75	75						
YEJ -100L1-8	0.75	2.34	71	0.67	4.0	1.8	2				69
YEJ -100L2-8	1.1	3.22	73	0.69	5.0						69
YEJ -112M-2	4	7.83	85	0.88	7.5	2.2	2.3				84
YEJ -112M-4	4	8.68	84	0.82	7.0	2.3					79
YEJ -112M-6	2.2	5.46	79	0.76	6.5	2.0	2.1	40		0.15	71
YEJ -112M-8	1.5	4.41	75	0.69	5.0	1.8	2				69

YEJ电磁制动系列
Series YEJ electromagnetically controlled

外型及安转尺寸
Installation Dimensions

型号 Type	额定功率 (Kw) Rated Power	额定电流 (A) Rated Current	额定效率 (η %) Rated Efficiency	额定功率因数 ($\cos\phi$) Rated Power Factor	堵转电流 额定电流 Locked Rotor Current	堵转转矩 额定转矩 Locked Torque Rated Torque	最大转矩 额定转矩 Max Torque Rated Torque	静制动力矩 (N.m) Static Brake Torque		空载时制 动时间 (S) Brake Torque during Idle	空载噪声 dB(A) Idle Noise
								直流 DZK DC	交流 AZM AC		
YEJ-132S1-2	5.5	10.7	86	0.88	7.5	2.2	2.3	75		0.20	88
YEJ-132S2-2	7.5	14.2	87	0.88							88
YEJ-132 S-4	5.5	11.5	85	0.83	7	2.3					83
YEJ-132M-4	7.5	15.3	87	0.84			83				
YEJ-132 S-6	3	7.1	81	0.76	6.5	2.1	2.1				75
YEJ-132M1-6	4	9.3	82	0.76							75
YEJ-132M2-6	5.5	12.3	84	0.77	6	1.8	2				75
YEJ-132 S-8	2.2	6	78	0.71							71
YEJ-132 M-8	3	7.6	79	0.73							71

B3 H63-180

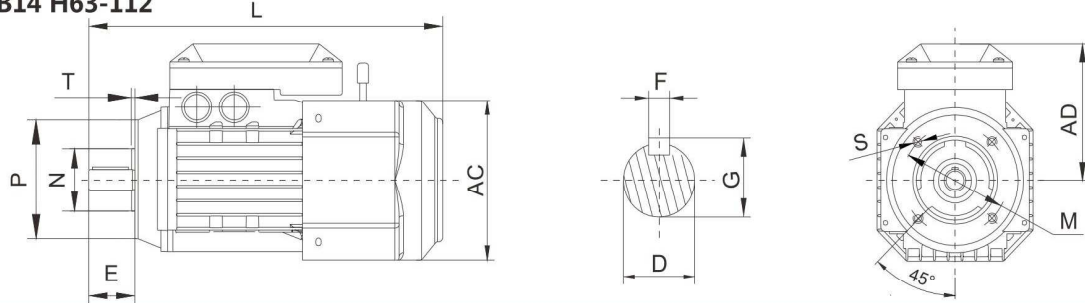


机座号 Frame size	外型及安装尺寸 Installation Dimensions												
	A	B	C	D	E	F	G	H	K	AB	AC	HD	L
63	100	80	40	∅ 11	23	4	12.5	63	∅ 7	135	120X120	170	270
71	112	90	45	∅ 14	30	5	16	71	∅ 7	137	130X130	185	315
80M	125	100	50	∅ 19	40	6	21.5	80	∅ 10	155	145X145	205	340
90S	140	100	56	∅ 24	50	8	27	90	∅ 10	175	160X160	225	400
90L	140	125	56	∅ 24	50	8	27	90	∅ 10	175	160X160	225	400
100L	160	140	63	∅ 28	60	8	31	100	∅ 12	200	185X185	245	440
112M	190	140	70	∅ 28	60	8	31	112	∅ 12	230	200X200	275	480
132S	216	140	89	∅ 38	80	10	41	132	∅ 12	270	245X245	330	567
132M	216	178	89	∅ 38	80	10	41	132	∅ 12	270	245X245	330	567
160M	254	210	108	∅ 42	110	12	45	160	∅ 14.5	320	335X335	450	780
160L	254	254	108	∅ 42	110	12	45	160	∅ 14.5	320	335X335	450	780
180M	279	241	121	∅ 48	110	14	51.5	180	∅ 14.5	355	370X370	500	880
180L	279	279	121	∅ 48	110	14	51.5	180	∅ 14.5	355	370X370	500	880

九、YEJ电磁制动电动机外型及安装尺寸

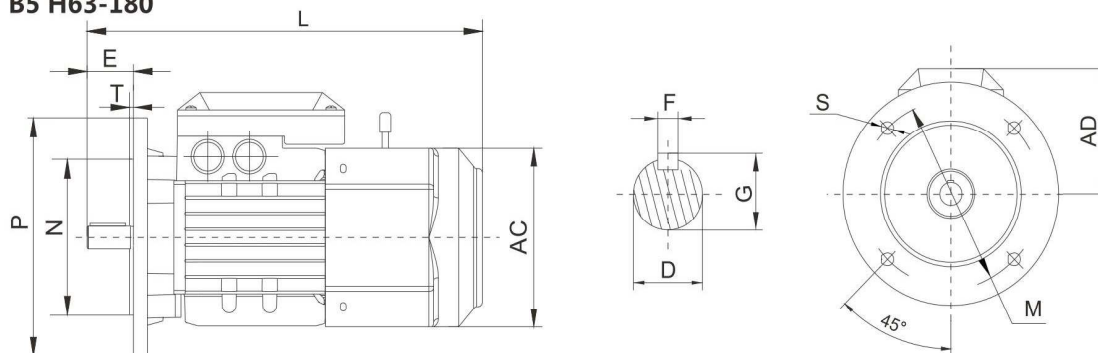
9. YEJ electromagnetic brake motor appearance and installation dimensions

B14 H63-112



机座号 Frame size	外型及安装尺寸 Installation Dimensions											
	D	E	F	G	M	N	P	S	T	AC	AD	L
63	∅11	23	4	12.5	75	60	90	M5	2.5	120×120	105	270
71	∅14	30	5	16	85	70	105	M6	2.5	130×130	112	315
80	∅19	40	6	21.5	100	80	120	M6	3.0	145×145	120	340
90S	∅24	50	8	27	115	95	140	M8	3.0	160×160	132	400
90L	∅24	50	8	27	115	95	140	M8	3.0	160×160	132	400
100L	∅28	60	8	31	130	110	160	M8	3.5	185×185	145	440
112M	∅28	60	8	31	130	110	160	M8	3.5	200×200	161	480

B5 H63-180

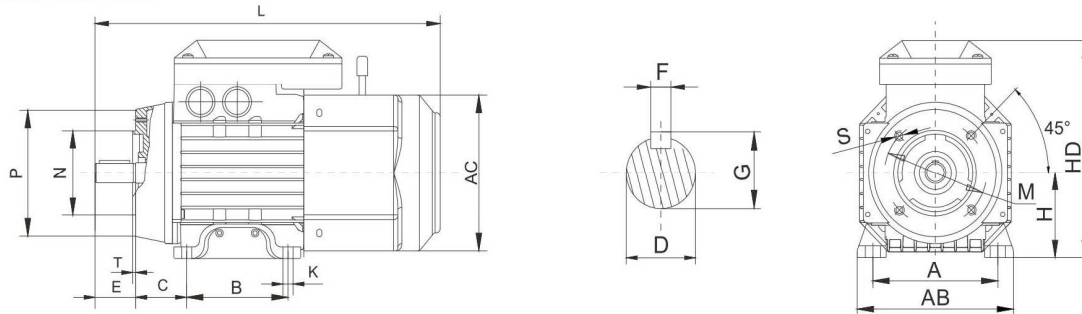


机座号 Frame size	外型及安装尺寸 Installation Dimensions											
	D	E	F	G	M	N	P	S	T	AC	AD	L
63	∅11	23	4	12.5	115	95	140	10	3.0	120×120	105	280
71	∅14	30	5	16	130	110	160	10	3.0	130×130	112	315
80M	∅19	40	6	21.5	165	130	200	12	3.5	145×145	120	340
90S	∅24	50	8	27	165	130	200	12	3.5	160×160	132	400
90L	∅24	50	8	27	165	130	200	12	3.5	160×160	132	400
100L	∅28	60	8	31	215	180	250	14.5	4	185×185	145	440
112M	∅28	60	8	31	215	180	250	14.5	4	200×200	161	480
132S	∅38	80	10	41	265	230	300	14.5	4	245×245	195	567
132M	∅38	80	10	41	265	230	300	14.5	4	245×245	195	567
160M	∅42	110	12	45	300	250	350	18.5	5	320×320	290	780
160L	∅42	110	12	45	300	250	350	18.5	5	320×320	290	780
180M	∅48	110	14	51.5	300	250	350	18.5	5	360×360	340	880
180L	∅48	110	14	51.5	300	250	350	18.5	5	360×360	340	880

YEJ电磁制动系列
Series YEJ electromagnetically controlled

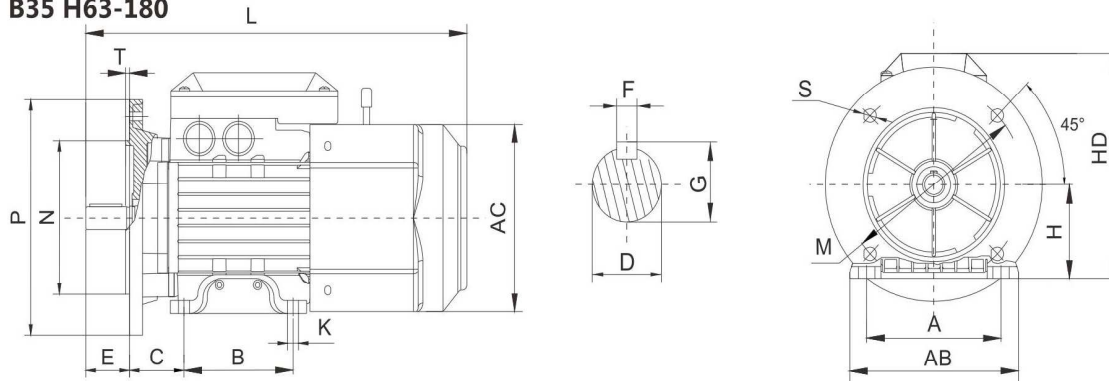
外型及安转尺寸
Installation Dimensions

B34 H63-112



机座号 Frame size	外型及安装尺寸 Installation Dimensions																	
	A	B	C	D	E	F	G	H	K	M	N	P	S	T	AB	AC	HD	L
63	100	80	40	∅11	23	4	12.5	63	∅7	75	60	90	M5	2.5	135	120×120	170	270
71	112	90	45	∅14	30	5	16	71	∅7	85	70	105	M6	2.5	137	130X130	185	315
80	125	100	50	∅19	40	6	21.5	80	∅10	100	80	120	M6	3.0	155	145×145	205	340
90S	140	100	56	∅24	50	8	27	90	∅10	115	95	140	M8	3.0	175	160×160	225	400
90L	140	125	56	∅24	50	8	27	90	∅10	115	95	140	M8	3.0	175	160×160	225	400
100L	160	140	63	∅28	60	8	31	100	∅12	130	110	160	M8	3.5	200	185X185	245	440
112M	190	140	70	∅28	60	8	31	112	∅12	130	110	160	M8	3.5	230	200X200	275	480

B35 H63-180



机座号 Frame size	外型及安装尺寸 Installation Dimensions																	
	A	B	C	D	E	F	G	H	K	M	N	P	S	T	AB	AC	HD	L
63	100	80	40	∅11	23	4	12.5	63	∅7	115	95	140	10	2.5	115	120×120	170	280
71	112	90	45	∅14	30	5	16	71	∅7	130	110	160	10	3.5	136	130×130	185	315
80M	125	100	50	∅19	40	6	21.5	80	∅10	165	130	200	12	3.5	154	145×145	205	340
90S	140	100	56	∅24	50	8	27	90	∅10	165	130	200	12	3.5	180	160×160	225	400
90L	140	125	56	∅24	50	8	27	90	∅10	165	130	200	12	3.5	180	160×160	225	400
100L	160	140	63	∅28	60	8	31	100	∅12	215	180	250	14.5	4	205	185×185	245	440
112M	190	140	70	∅28	60	8	31	112	∅12	215	180	250	14.5	4	235	200×200	275	480
132S	216	140	89	∅38	80	10	41	132	∅12	265	230	300	14.5	4	261	245×245	330	567
132M	216	178	89	∅38	80	10	41	132	∅12	265	230	300	14.5	4	261	245×245	330	567
160M	254	210	108	∅42	110	12	45	160	∅14.5	300	250	350	18.5	5	320	335×335	450	780
160L	254	254	108	∅42	110	12	45	160	∅14.5	300	250	350	18.5	5	320	335×335	450	780
180M	279	241	121	∅48	110	14	51.5	180	∅14.5	300	250	350	18.5	5	355	370×370	500	880
180L	279	279	121	∅48	110	14	51.5	180	∅14.5	300	250	350	18.5	5	355	370×370	500	880